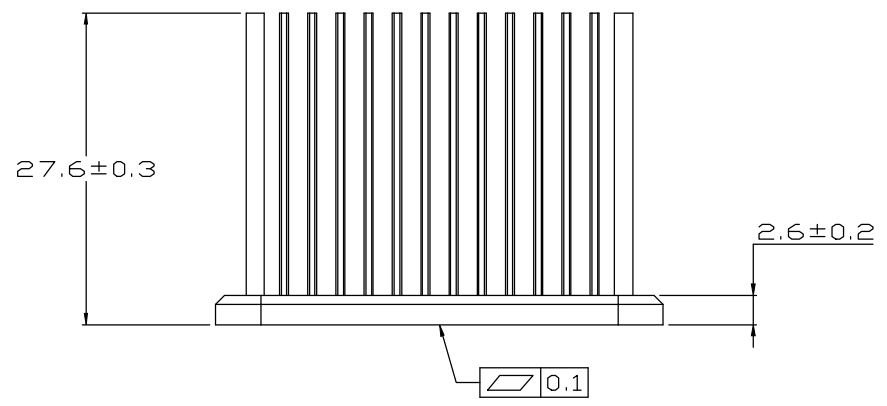
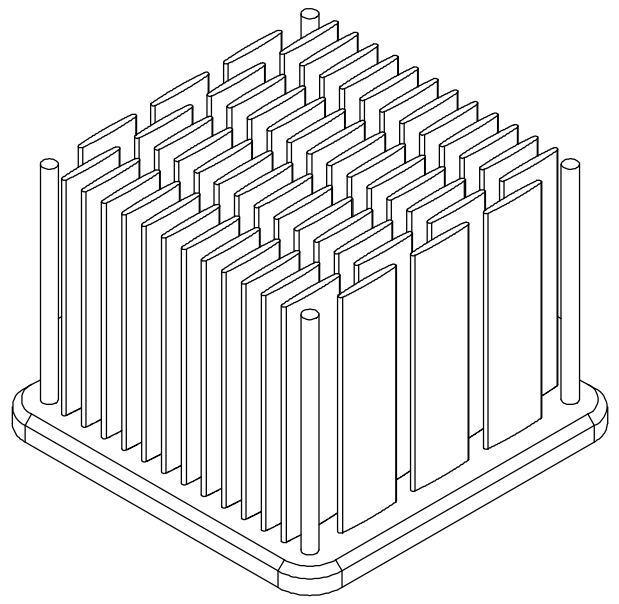
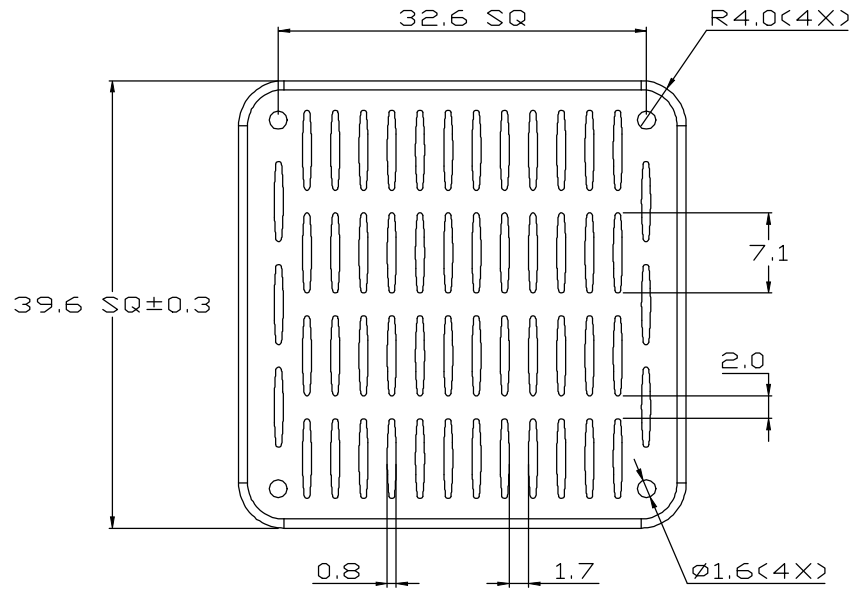


REV.	DESCRIPTION	DATE	CHECKED
A	NEW RELEASE	06.16.2015	LUCY



UNIT:	MM
TOLERANCE TABLE	
X.	= ±0.30
X.X	= ±0.20
X.XX	= ±0.10
ANGLE	= ±1°

FINISH: NATURAL ANODIZE					ENZOTECH					
MATERIAL: AL 6063					APPROVED:	CHECKED:	DRAWN:	REV.:		
DATE: 06.16.2015					AUDI	WEN	LUCY	A		
TITLE: HEAT SINK					P/N : Uni-H40051-28W/2.6					