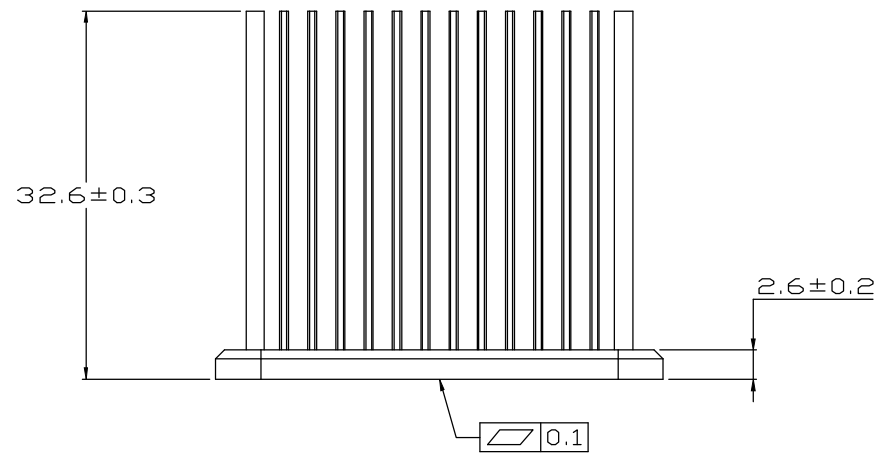
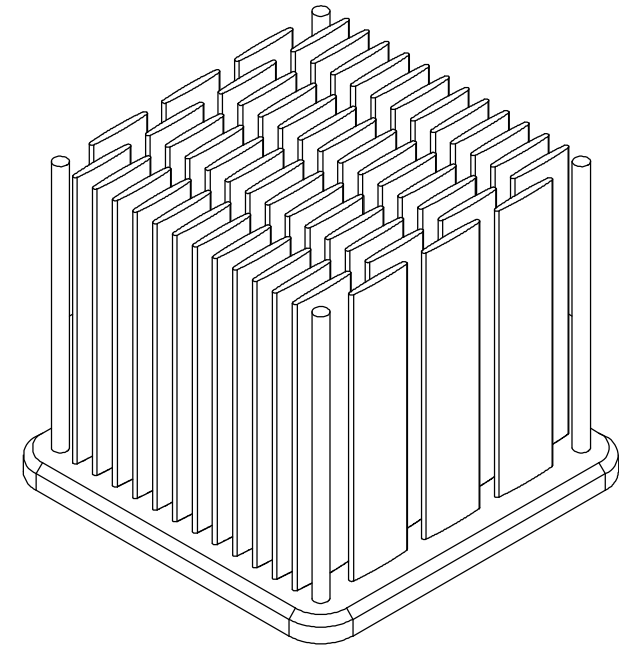
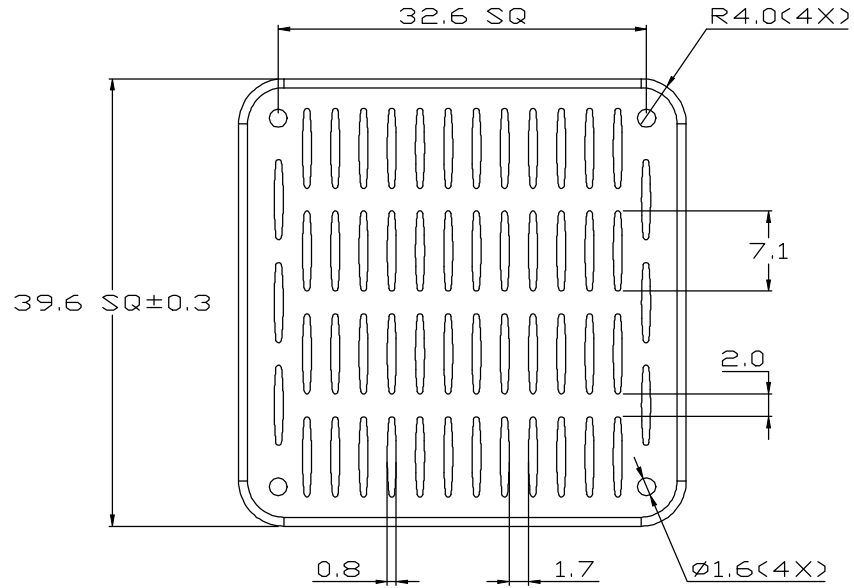


REV.	DESCRIPTION	DATE	CHECKED
A	NEW RELEASE	06.16.2015	LUCY



UNIT:	MM
TOLERANCE TABLE	
X.	= ±0.30
X.X	= ±0.20
X.XX	= ±0.10
ANGLE	= ±1°

FINISH:					
NATURAL ANODIZE					
ENZOTECH					
MATERIAL:					
AL 6063		APPROVED:	CHECKED:	DRAWN:	REV.:
		AUDI	WEN	LUCY	A
DATE:					
06.16.2015		P/N :			
TITLE:					
HEAT SINK		Uni-H40051-33W/2.6			