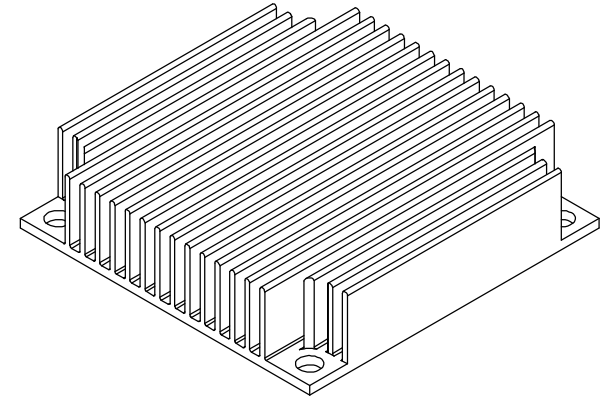
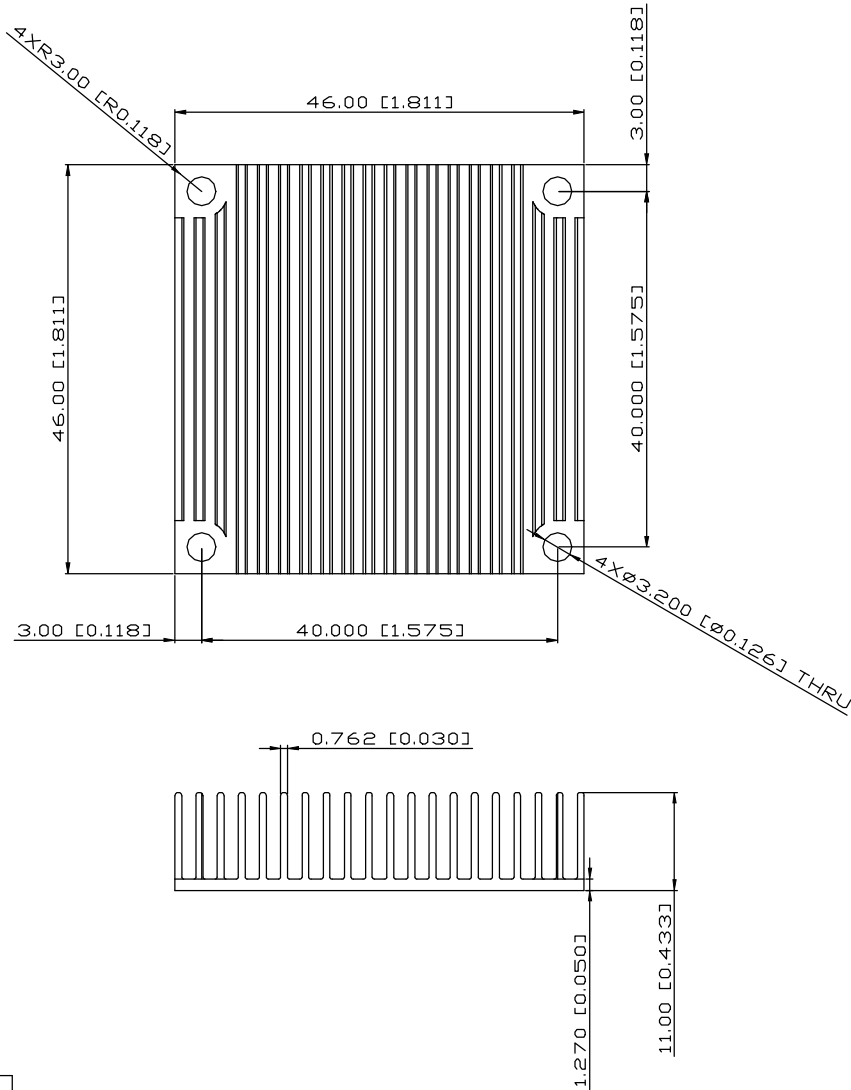


REV.	DESCRIPTION	DATE	CHECKED
#5	NEW RELEASE	05.14.2014	LUCY



UNIT:	MM
TOLERANCE TABLE	
X.	=±0.30
X.X	=±0.20
X.XX	=±0.10
ANGLE	=±1°

NOTES:
 1.FINISH:ELECTROLESS NICKEL PLATE. THICKNESS .000120" TO .000300"(3 TO 8 μM)
 2.REMOVE ALL BURRS AND SHARP EDGES.
 3.RoHS COMPLIANT.

FINISH: SEE NOTES				ENZOTECH			
MATERIAL: AL 6063							
DATE: 05.14.2014		APPROVED: AUDI	CHECKED: WEN	DRAWN: LUCY	REV.: #5	P/N : B308260000000-54	
TITLE: HEAT SINK							