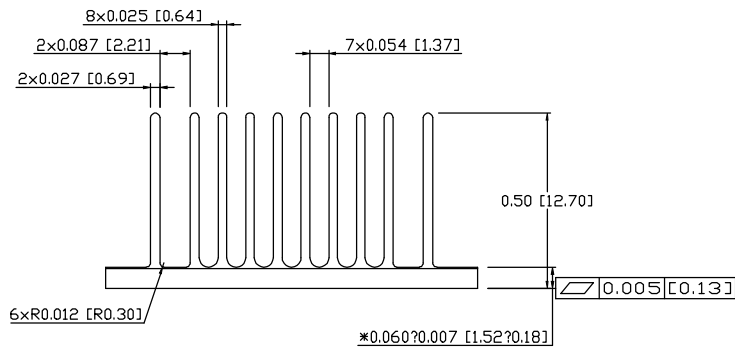
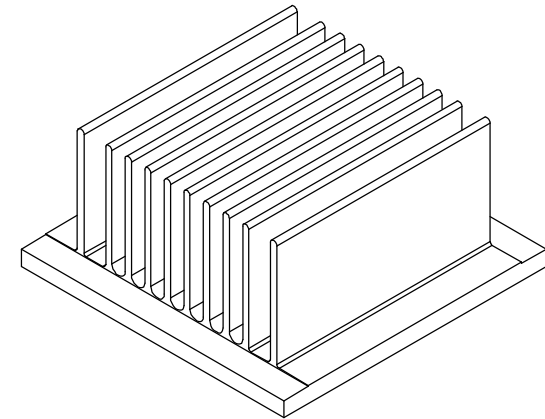
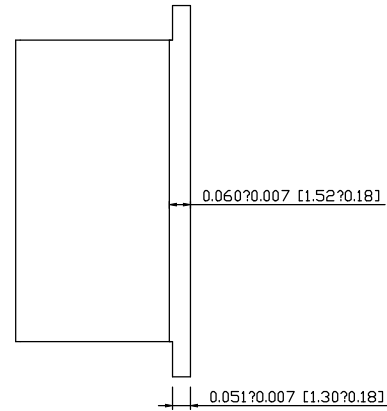
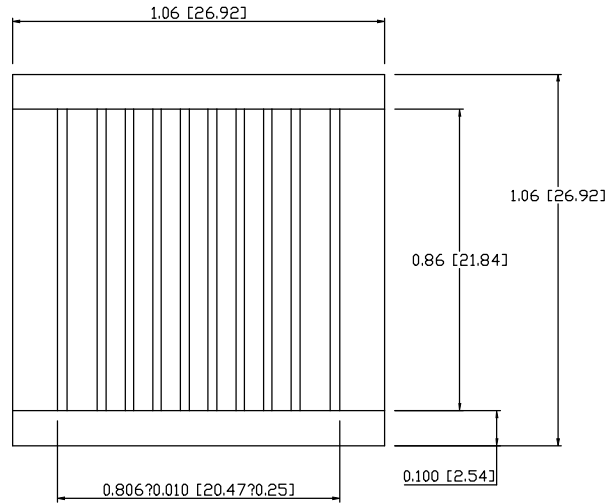


REV.	DESCRIPTION	DATE	CHECKED
A	NEW RELEASE	05.14.2014	LUCY



FINISH: ANODIZE BLACK	ENZOTECH			
MATERIAL: AL 6063				
DATE: 05.14.2014	APPROVED: AUDI	CHECKED: WEN	DRAWN: LUCY	REV.: A
TITLE: HEAT SINK	P/N : BHS1803EB00000-07			

UNIT:	MM
TOLERANCE TABLE	
X.	±0.30
X.X	±0.20
X.XX	±0.10
ANGLE	±1°