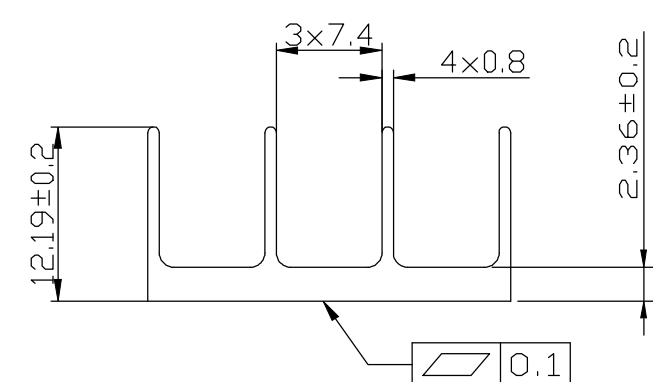
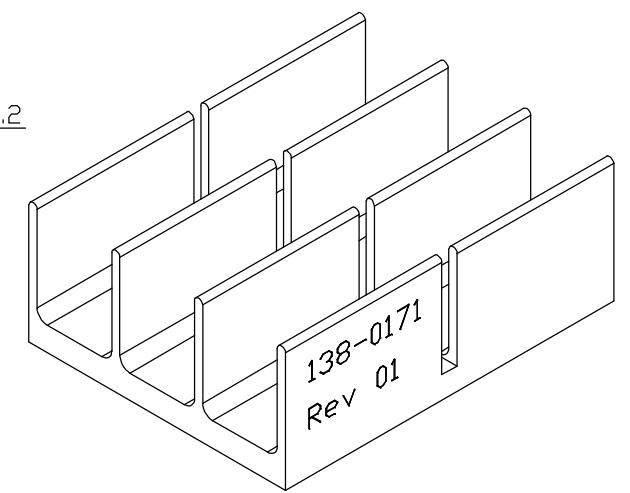
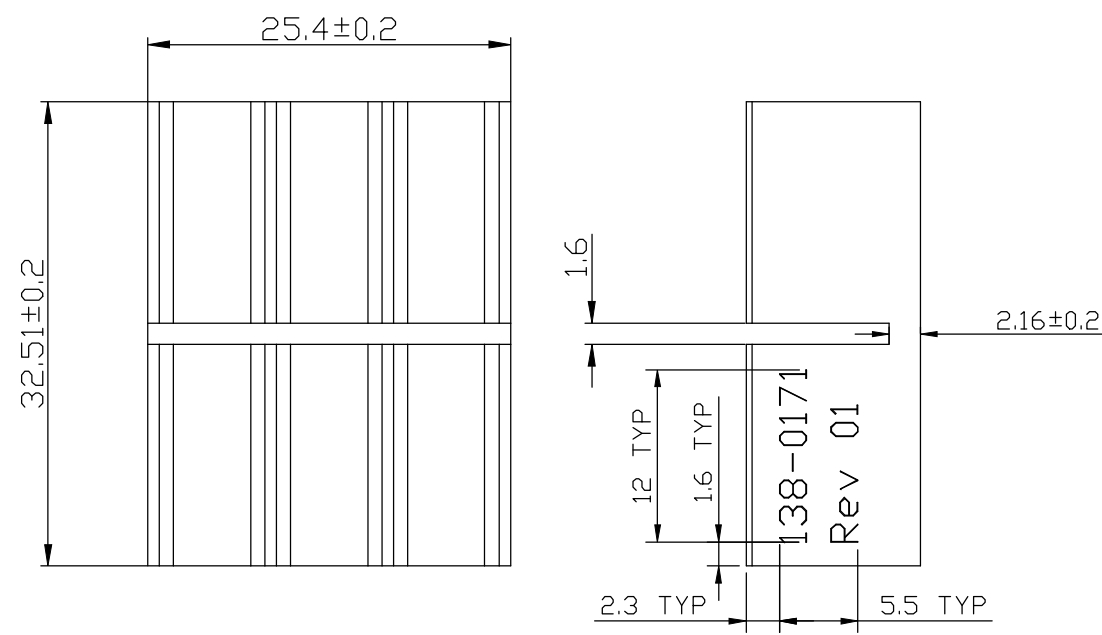


REV.	DESCRIPTION	DATE	CHECKED
01	NEW RELEASE	05.14.2014	LUCY



FINISH: BLACK ANODIZE		ENZOTECH			
MATERIAL: AL 6063					
DATE: 05.14.2014	APPROVED: AUDI	CHECKED: WEN	DRAWN: LUCY	REV.: 01	P/N : BJCEBH33331200-06
TITLE: HEAT SINK					

UNIT:	MM
TOLERANCE TABLE	
X.	±0.30
X.X	±0.20
X.XX	±0.10
ANGLE	±1°