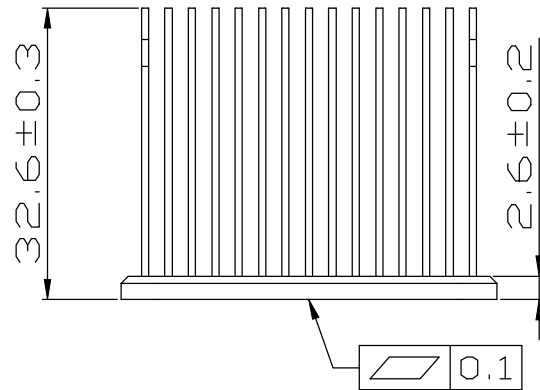
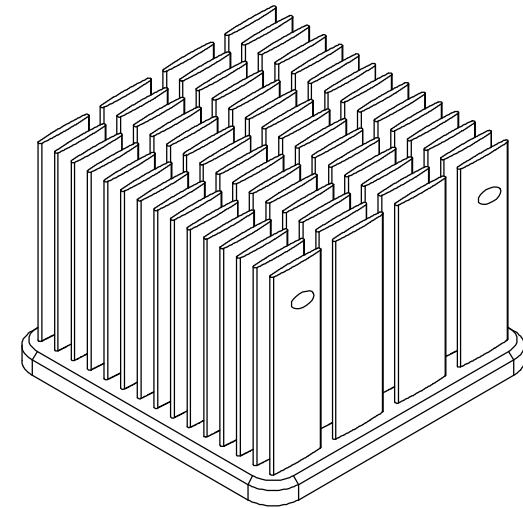
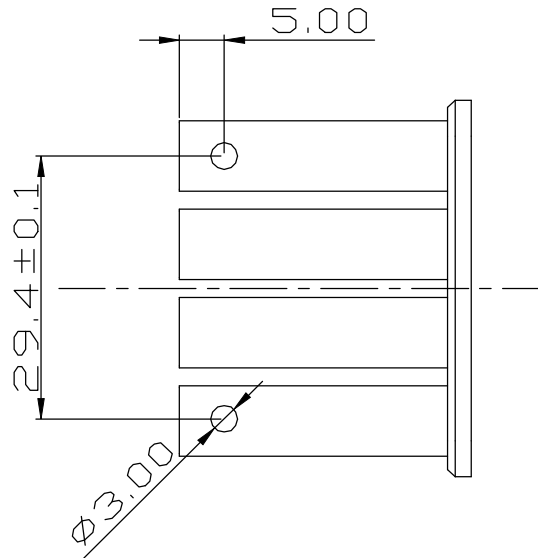
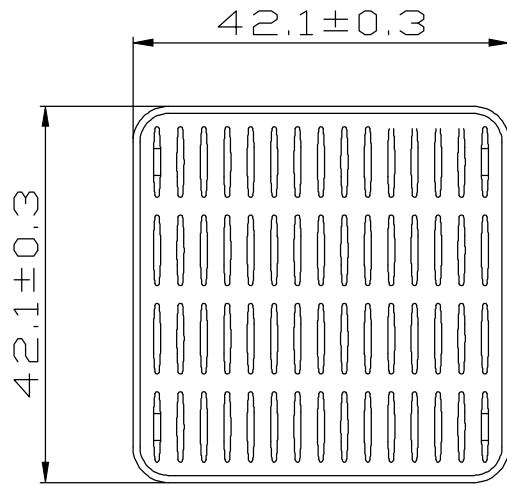


REV.	DESCRIPTION	DATE	CHECKED
A	NEW RELEASE	05.14.2014	LUCY



UNIT:	MM
<b>TOLERANCE TABLE</b>	
X.	=±0.30
X.X	=±0.20
X.XX	=±0.10
ANGLE	=±1°

FINISH: BLACK ANODIZE	<b>ENZOTECH</b>			
MATERIAL: AL 6063				
DATE: 05.14.2014	APPROVED: AUDI	CHECKED: WEN	DRAWN: LUCY	REV.: A
TITLE: HEAT SINK	P/N : <b>BMBH0142423302-07</b>			