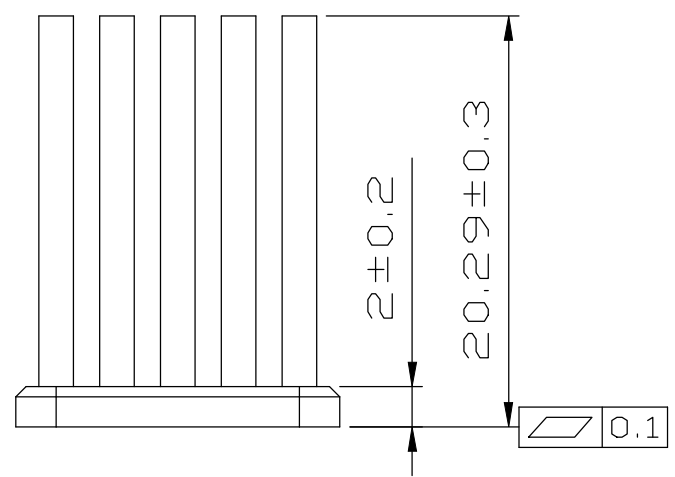
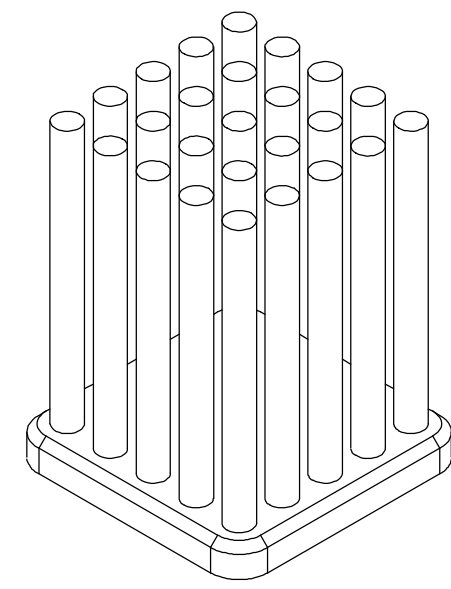
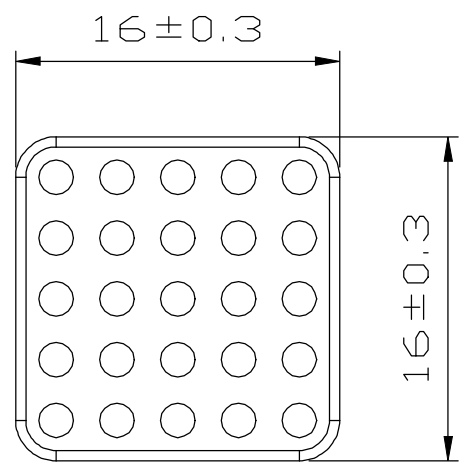


REV.	DESCRIPTION	DATE	CHECKED
A	NEW RELEASE	05.14.2014	LUCY



FINISH: NATURAL ANODIZE	ENZOTECH			
MATERIAL: AL 6063	APPROVED: AUDI	CHECKED: WEN	DRAWN: LUCY	REV.: A
DATE: 05.14.2014	P/N. : BMBH0216162001-06			
TITLE: HEAT SINK				

UNIT:	MM
TOLERANCE TABLE	
X.	= ± 0.30
X.X	= ± 0.20
X.XX	= ± 0.10
ANGLE	= ± 1°