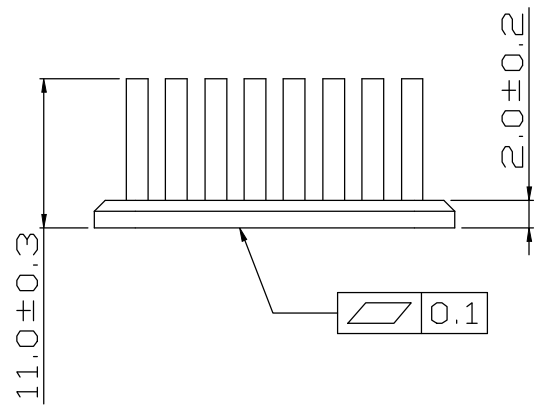
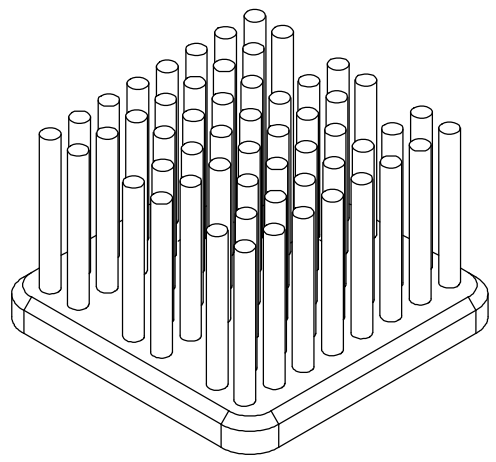
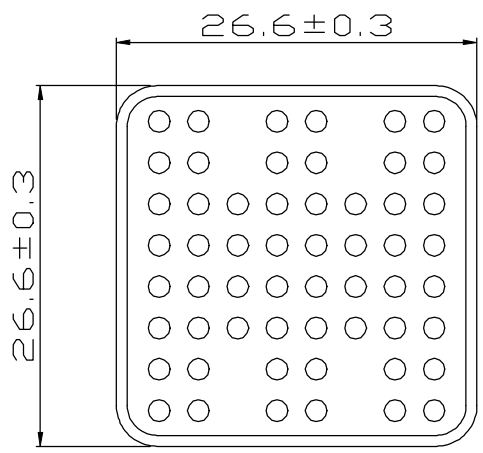


REV.	DESCRIPTION	DATE	CHECKED
A	NEW RELEASE	05.14.2014	LUCY



UNIT:	MM
TOLERANCE TABLE	
X.	= ±0.30
X.X	= ±0.20
X.XX	= ±0.10
ANGLE	= ±1°

FINISH:	BLACK ANODIZE			
MATERIAL:	AL 6063			
DATE:	APPROVED:	CHECKED:	DRAWN:	REV.:
05.14.2014	AUDI	WEN	LUCY	A
TITLE:	P/N :			
HEAT SINK	BMBH0227271203-07			