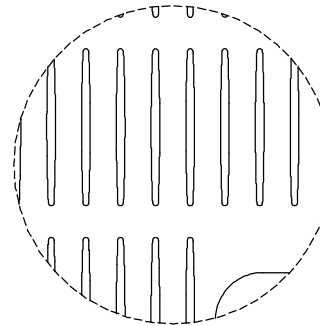
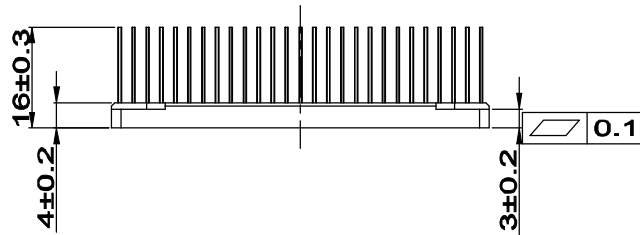
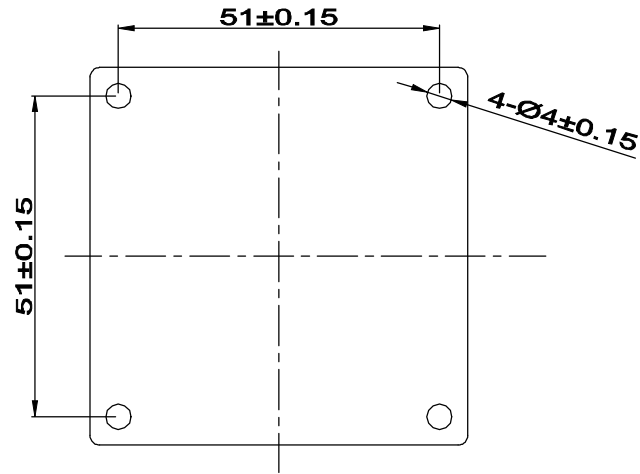
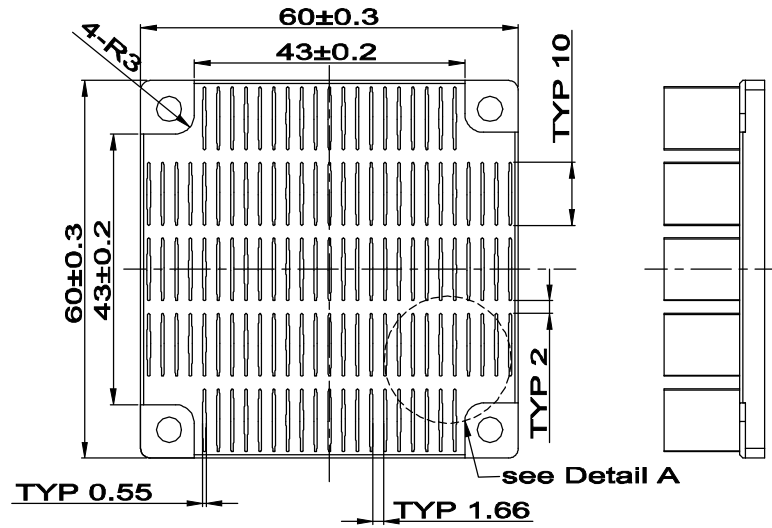
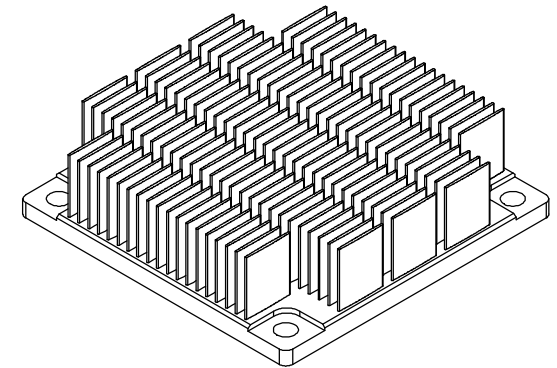


REV.	DESCRIPTION	DATE	CHECKED
A	NEW RELEASE	05.14.2014	LUCY



Detail A
Scale 2.5 : 1



UNIT:	MM
TOLERANCE TABLE	
X.	±0.30
X.X	±0.20
X.XX	±0.10
ANGLE	±1°

FINISH: BLACK ANODIZE		ENZOTECH			
MATERIAL: AL 1070					
DATE: 05.14.2014	APPROVED: AUDI	CHECKED: WEN	DRAWN: LUCY	REV.: A	F/N. : BMFH0160601601-07
TITLE: HEAT SINK					