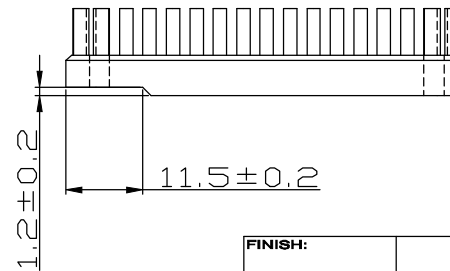
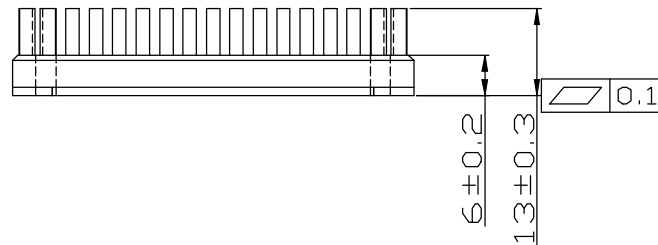
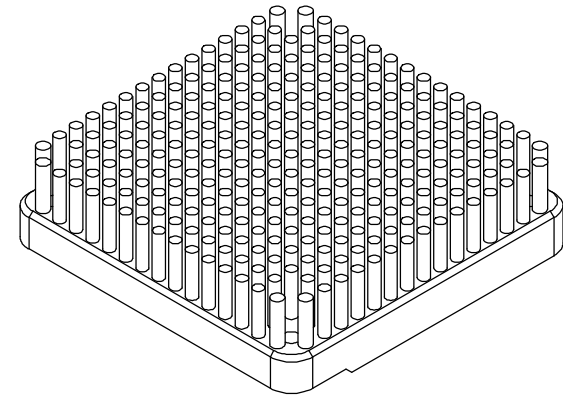
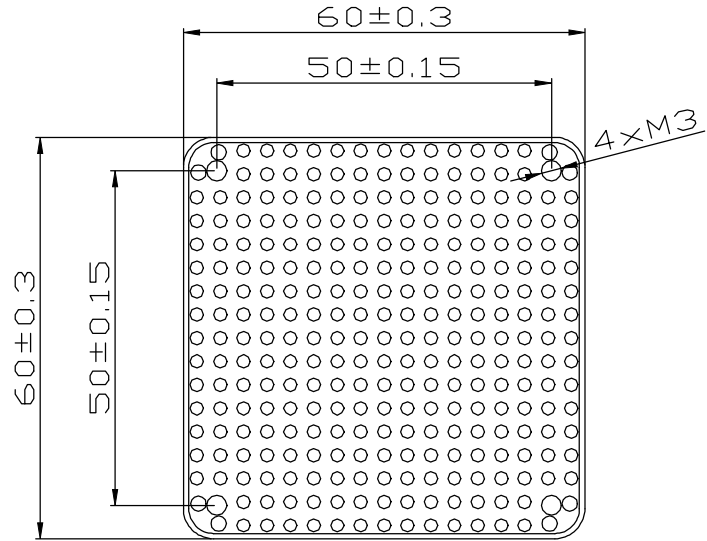


REV.	DESCRIPTION	DATE	CHECKED
A	NEW RELEASE	05.14.2014	LUCY



UNIT:	MM
TOLERANCE TABLE	
X.	=±0.30
X.X	=±0.20
X.XX	=±0.10
ANGLE	=±1°

FINISH:	REDOX			
MATERIAL:	CU 1100			
DATE:	05.14.2014	APPROVED:	CHECKED:	DRAWN:
TITLE:	HEAT SINK	AUDI	WEN	LUCY
P/N :		REV.:	A	
BMFH0560601300-53				

**ENZOTECH**

**BMFH0560601300-53**